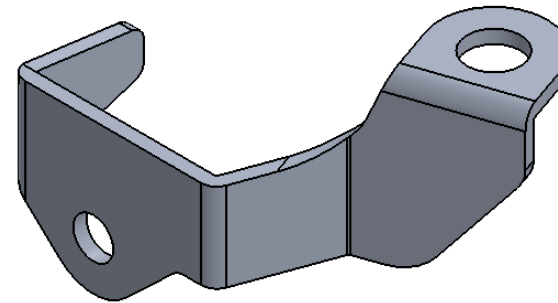
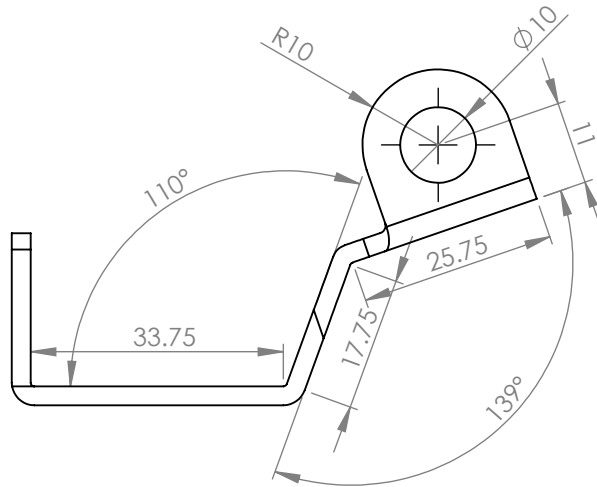
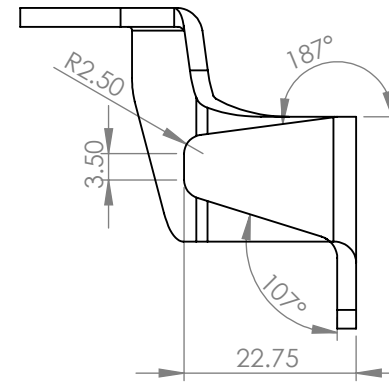
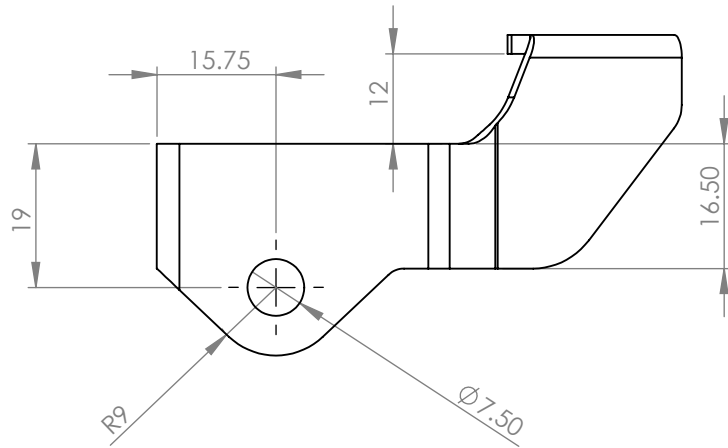


Note: This plan is for the left hand bracket. The right hand part is a mirror copy of this one.



UNLESS OTHERWISE SPECIFIED: DIMENSIONS ARE IN MILLIMETERS SURFACE FINISH: TOLERANCES: +/-0.5 LINEAR: ANGULAR:			FINISH: Silver anodised		DEBUR AND BREAK SHARP EDGES		DO NOT SCALE DRAWING		REVISION 1.0	
									TITLE: Aprilia Caponord LH hand-guard to mirror mounting bracket	
DRAWN K Bianchini			SIGNATURE		DATE 03/03/2013				DWG NO. moto-abruzzo 20130303	
CHK'D									A4	
APPV'D										
MFG										
Q.A					MATERIAL: Aluminium					
					WEIGHT: 5.6g		SCALE:1:1		SHEET 1 OF 1	